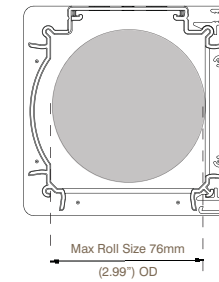
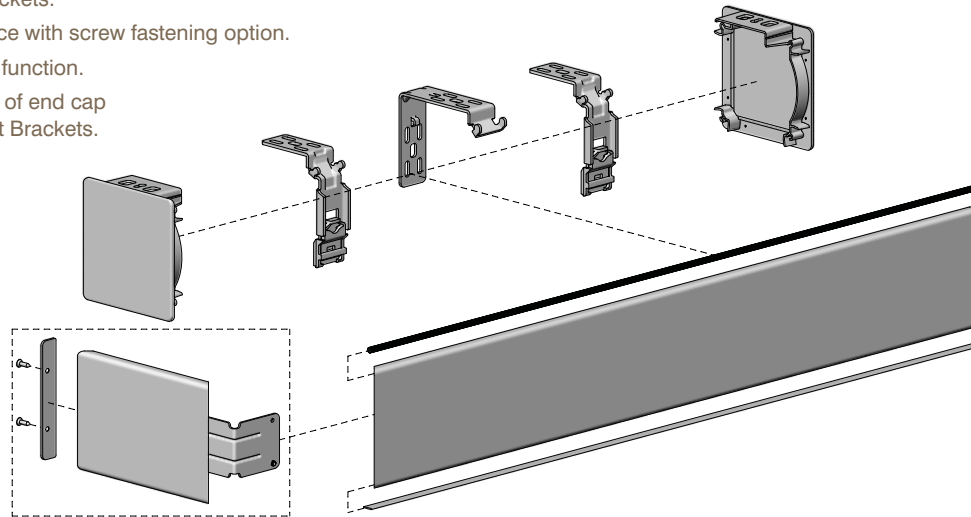


FRS100 VALANCE SYSTEM INFORMATION

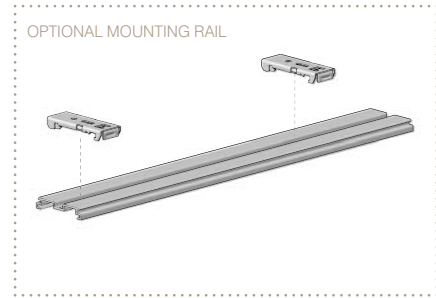
The FRS valance system is a decorative cover compatible with Acmeda™ Roller shade hardware systems. The system is multifunctional in both mounting and finished appearance.

FEATURES/BENEFITS

- Centre Support Installation Brackets.
- Snap-lock attachment of Valance with screw fastening option.
- Fabric cover option with spline function.
- Recess application can be free of end cap with Snap Lock Centre Support Brackets.
- Fascia Return option.



- COMPATIBLE SYSTEMS**
- STOP SPRING SYSTEM | SYS40/45
 - EASY-LOCK CHAIN WINDER SYSTEM | SYS30/40/45
 - RETRO-FIT SYSTEM | SYS40/45
 - EASY-LIFT SYSTEM | SYS40/45
 - EASY-LINK™ SYSTEM | SYS40/45
 - 40mm MOTORISED SYSTEM | SYS45



Valance FRS100

CODE: RB88-1011-xxx480
 COLOUR: nat. anodised 020, black 050, snow white 062, birch white 412

End Caps

CODE: RB88-1021-xxx100
 COLOUR: black 050, snow white 062, silver grey 338, birch white 412

FRS100 | Snap Lock Centre Support Bracket Top/Ceiling Fix

CODE: RB88-1051-025100
 COLOUR: zinc plated 025

FRS100 | Centre Support Bracket Universal Fix

CODE: RB88-1061-025100
 COLOUR: zinc plated 025

FRS100 Return Bracket + Grub Screws

CODE: RB88-2101-025100
 COLOUR: zinc plated 025

VALANCE WITH FABRIC

Spline Flat | 9mm x 1mm (0.35" x 0.03")

CODE: Standard
 RB91-0409-062072
 RB91-0509-062050 with D/S STANDARD Tape
 RB91-0609-062050 with D/S SCREEN Tape
 COLOUR: snow white 062

CODE: ACM
 RB92-0901-001100
 RB92-0902-001075 with D/S MP-HR Tape
 RB92-0903-001075 with D/S MP-HR Tape B/SIDES
 COLOUR: natural 001

Spline Ribbed Round | 4.6mm (0.18")

CODE: SS91-5246-050500
 COLOUR: black 050

FRS100 End Plate + Screws

CODE: RB88-2102-025100
 COLOUR: zinc plated 025



AUSTRALIA
TAIWAN
EUROPE

110 Northcorp Boulevard, Broadmeadows Victoria 3047 Australia.
 Unit 1, 41 Mulgul Road Malaga Western Australia 6090 Australia.
 No. 179 Pen Chou Road Kang Shan Cheng Kaohsiung Hsien 820 Taiwan R.O.C.
 Via G. Deledda 10/A 20090 Opera (MI) Italy.

T +61 3 9355 0100
 T +61 8 9248 5571
 T +886 7 621 6219 / 8869
 T +39 02 57 60 34 10

F +61 3 9355 0110
 F +61 8 9248 5572
 F +886 7 622 3039
 F +39 02 57 60 11 16

australia@acmeda.com
 australia.wa@acmeda.com
 taiwan@acmeda.com
 europe@acmeda.com